

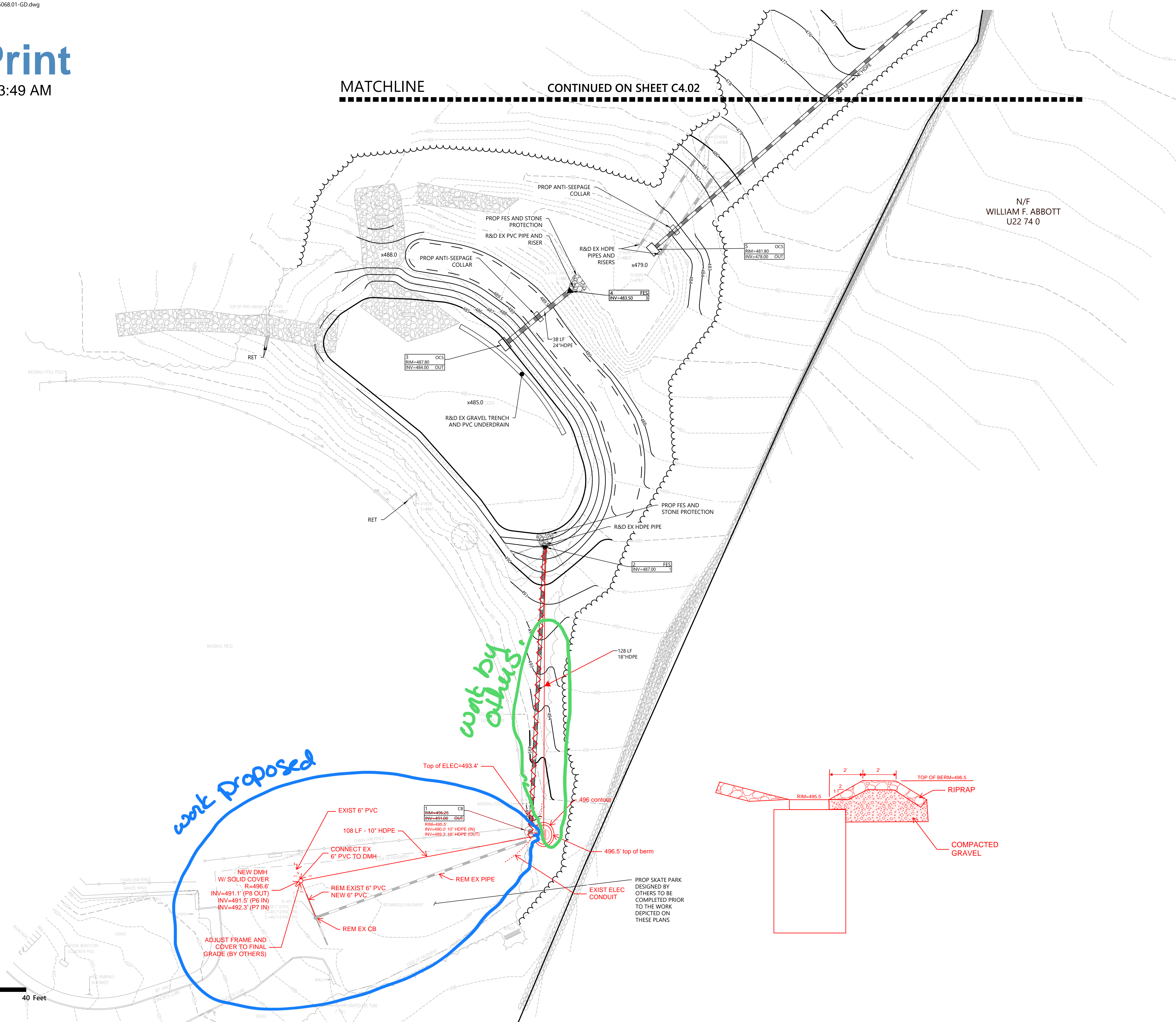
# Draft Print

02/07/2024 10:43:49 AM



101 Walnut Street  
PO Box 9151  
Watertown, MA 02471  
617.924.1770

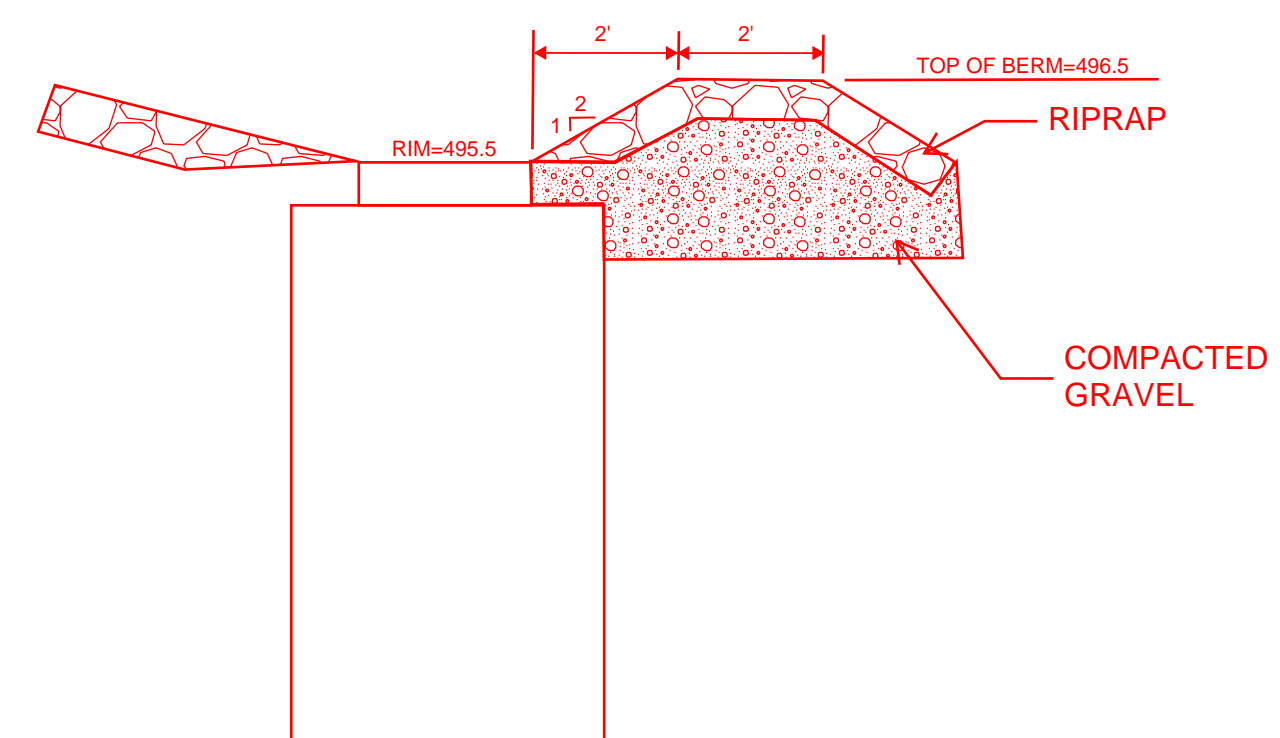
MATCHLINE CONTINUED ON SHEET C4.02



N/F  
WILLIAM F. ABBOTT  
U22 74 0

*work by others*

*work Proposed*



## EMC PARK STORMWATER IMPROVEMENTS

113 HAYDEN ROWE ST  
HOPKINTON, MA

No.	Revision	Date	Appr.

Designed by CSB Checked by  
Issued for CONSTRUCTION Date 3/3/2023

## DRAINAGE AND GRADING PLAN 1

Drawing Number

# C4.01

Sheet 7 of 10

Project Number  
15068.01

Saved Thursday, March 2, 2023 12:38:10 PM CBERGMANN Plotted Thursday, March 2, 2023 12:54:13 PM Colin Bergmann

